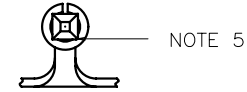
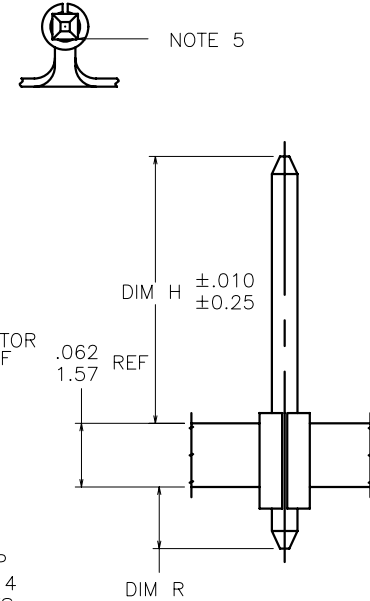
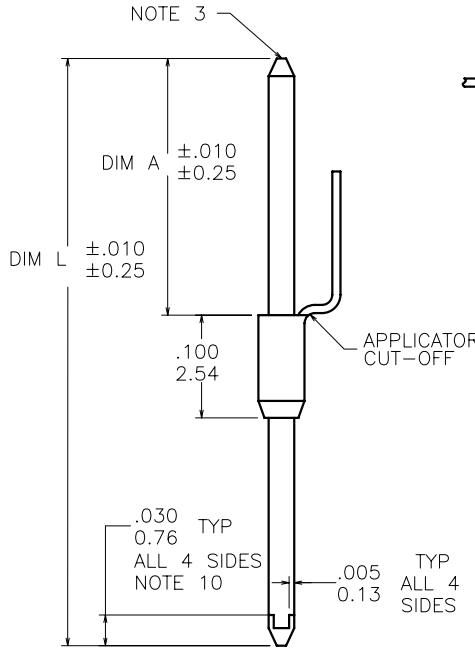
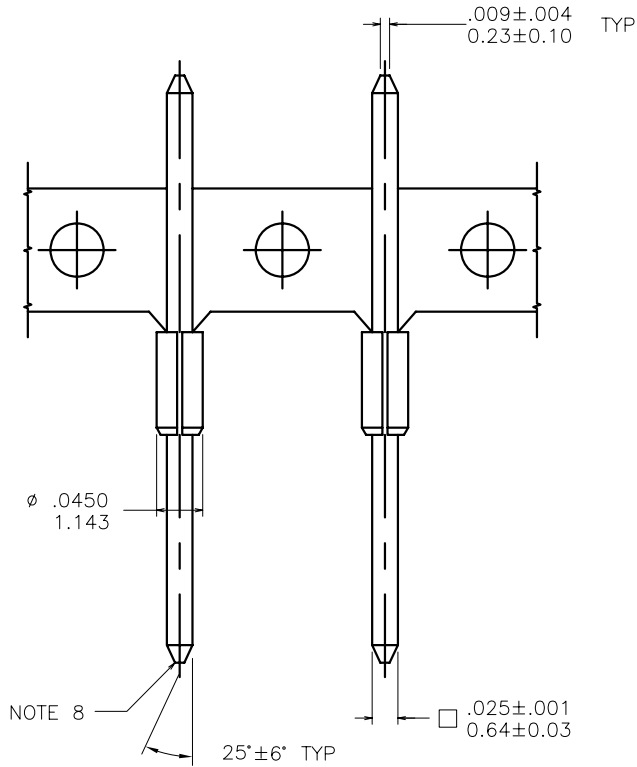


PRODUCT NUMBER
SEE TABLE



PLATING CODE	PLATING	UNDERPLATING
1	30μ" [0.76μ] Au	50μ" [1.27μ] Ni
2	UNASSIGNED	
3	50μ" [1.27μ] Au	50μ" [1.27μ] Ni
4	TIN LEAD OPTION	120μ" [3.05μ] 93/7 SnPb
	LF OPTION (NOTE 13)	100μ" [2.54μ] Sn
5	30μ" [0.76μ] GXT™	50μ" [1.27μ] Ni
6	15μ" [0.38μ] GXT™	50μ" [1.27μ] Ni
7	UNASSIGNED	
8	UNASSIGNED	
9	15μ" [0.38μ] Au	50μ" [1.27μ] Ni

DISCONTINUED

mat'l. code SEE NOTE 1				surface ASME Y14.5 ✓		tolerance ASME Y14.5		projection INCH/MM		product family PIN PRODUCTS	
ltr	ec'n no	dr	date	angles	fin	fin	fin	INCH/MM	title BERGPOST® .200"[5.08]cc WITHOUT RETENTION NICKS		
J	V22754	JWB	1992-07-15						sheet 1 of 6 size		
K	V60743	SAR	1996-06-19						48283 A4		
L	V71494	HTB	1997-10-24	0° ±2'				scale 6:1	type CUSTOMER Drawing		
M	V92858	DLW	1999-08-30	dr	S. RAMP				FCI		
N	V05-0387	HTB	2005-04-26	ENGR	K.D. PATEL						
P	V06-0685	HTB	2006-07-26	chr	K.D. PATEL						
R	V08-0379	HTB	2008-09-02	app'd	K.D. PATEL						
sheet index	revision	R	R	R	R	R	R				
	sheet	1	2	3	4	5	6				

PRODUCT NUMBER NOTE 12	CONTACT AREA DIM A	DIM H	OVERALL LENGTH DIM L	DIM R	CORRESPONDING P/N W/RETENTION NICKS	PLATING CODE
48283-001	.308 / 7.82	.328 / 8.33	.450 / 11.43	.060 / 1.52	47310-000	OBSOLETE
48283-001LF	.308 / 7.82	.328 / 8.33	.450 / 11.43	.060 / 1.52	47310-000LF	4
48283-002	.558 / 14.17	.578 / 14.68	.700 / 17.78	.060 / 1.52	48124-000	OBSOLETE
48283-002LF	.558 / 14.17	.578 / 14.68	.700 / 17.78	.060 / 1.52	48124-000LF	4
48283-003	.698 / 17.73	.718 / 18.24	.840 / 21.34	.060 / 1.52	47312-000	OBSOLETE
48283-003LF	.698 / 17.73	.718 / 18.24	.840 / 21.34	.060 / 1.52	47312-000LF	4
48283-004	.748 / 19.00	.768 / 19.51	.890 / 22.61	.060 / 1.52	47313-000	OBSOLETE
48283-004LF	.748 / 19.00	.768 / 19.51	.890 / 22.61	.060 / 1.52	47313-000LF	4
48283-005	.558 / 14.17	.578 / 14.68	1.210 / 30.73	.570 / 14.48	47314-000	OBSOLETE
48283-005LF	.558 / 14.17	.578 / 14.68	1.210 / 30.73	.570 / 14.48	47314-000LF	4
48283-006	.558 / 14.17	.578 / 14.68	1.400 / 35.56	.760 / 19.30	47315-000	OBSOLETE
48283-006LF	.558 / 14.17	.578 / 14.68	1.400 / 35.56	.760 / 19.30	47315-000LF	4
48283-007	.698 / 17.73	.718 / 18.24	1.485 / 37.72	.705 / 17.91	47316-000	OBSOLETE
48283-007LF	.698 / 17.73	.718 / 18.24	1.485 / 37.72	.705 / 17.91	47316-000LF	4
48283-008	.228 / 5.79	.248 / 6.30	.370 / 9.40	.060 / 1.52	47317-000	OBSOLETE
48283-008LF	.228 / 5.79	.248 / 6.30	.370 / 9.40	.060 / 1.52	47317-000LF	4
48283-009	.558 / 14.17	.578 / 14.68	.880 / 22.35	.240 / 6.10	47318-000	OBSOLETE
48283-009LF	.558 / 14.17	.578 / 14.68	.880 / 22.35	.240 / 6.10	47318-000LF	4
48283-010	.583 / 14.81	.603 / 15.32	1.000 / 25.40	.335 / 8.51	47319-000	OBSOLETE
48283-010LF	.583 / 14.81	.603 / 15.32	1.000 / 25.40	.335 / 8.51	47319-000LF	4
48283-011	.308 / 7.82	.358 / 9.09	.450 / 11.43	.060 / 1.52	47330-000 & 48084-000	1
48283-011LF	.308 / 7.82	.358 / 9.09	.450 / 11.43	.060 / 1.52	47330-000LF & 48084-000LF	1
48283-012	.558 / 14.17	.578 / 14.68	.700 / 17.78	.060 / 1.52	48032-000	1
48283-012LF	.558 / 14.17	.578 / 14.68	.700 / 17.78	.060 / 1.52	48032-000LF	1
48283-013	.698 / 17.73	.718 / 18.24	.840 / 21.34	.060 / 1.52	47332-000	1
48283-013LF	.698 / 17.73	.718 / 18.24	.840 / 21.34	.060 / 1.52	47332-000LF	1
48283-014	SUPERCEDED BY 48283-059					
48283-015	.558 / 14.17	.578 / 14.68	1.210 / 30.73	.570 / 14.48	47334-000	1
48283-015LF	.558 / 14.17	.578 / 14.68	1.210 / 30.73	.570 / 14.48	47334-000LF	1
48283-016	.558 / 14.17	.578 / 14.68	1.400 / 35.56	.760 / 19.30	47335-000	1
48283-016LF	.558 / 14.17	.578 / 14.68	1.400 / 35.56	.760 / 19.30	47335-000LF	1
48283-017	.698 / 17.73	.718 / 18.24	1.485 / 37.72	.705 / 17.91	47336-000	1
48283-017LF	.698 / 17.73	.718 / 18.24	1.485 / 37.72	.705 / 17.91	47336-000LF	1
48283-018	.228 / 5.79	.248 / 6.30	.370 / 9.40	.060 / 1.52	47337-000	1
48283-018LF	.228 / 5.79	.248 / 6.30	.370 / 9.40	.060 / 1.52	47337-000LF	1

NOTES:

- MATERIAL: POST 3/4 HARD BRONZE ASTM B-159-66, FERRULE 1/2 HARD CARTRIDGE BRASS ASTM B-36-67.
- CENTER LINE OF THE TERMINAL MUST BE IN THE TRUE POSITION IN RESPECT TO THE .015 [0.38] DIA AFTER INSERTION IN PC BOARD.
- BURNISH MARKS ON PINS PERMITTED.
- TWO SIDES OF LEAD-IN NOT PLATED, TYP. BOTH ENDS.
- R .002 [0.05] MAX TYP ON WIRE WRAP PORTION OF POST.
- POST TO FERRULE RETENTION 8 LBS MIN BEFORE STAKING.
- POST IS BONDED TO FERRULE.
- FLAT MAY GO TO .016 [0.41] MAX WHEN DIM "R" IS UNDER .20 [5.1].
- .015 [0.38] MAX SOLDER PERMISSIBLE ABOVE AND BELOW THE FERRULE ON THE SURFACE OF THE PIN.
- SOLDER SPOTS PERMISSIBLE .030 [0.76] FROM END BELOW FERRULE ONLY.
- SEE PRODUCT SPECIFICATION BUS-12-040 FOR P.C. BOARD HOLE DIAMETER AND P.C. BOARD HOLE PLATING INFORMATION.
- ADD AN LF SUFFIX TO PART NUMBERS FOR PRODUCT THAT MEETS EUROPEAN UNION DIRECTIVES AND OTHER COUNTRY REGULATIONS AS DESCRIBED IN GS-22-008. PLATING CODE 4 AVAILABLE AS LF (TIN) ONLY.
- THIS PRODUCT HAS 100% TIN PLATING IN THE INTERFACE AND HAS NOT BEEN TESTED FOR WHISKER GROWTH IN ALL INTERCONNECT ENVIRONMENTS.

A

A

B

B

mat'l. code SEE NOTE 1		surface ASME Y14.5 <input checked="" type="checkbox"/>		tolerance ASME Y14.5		projection 		product family PIN PRODUCTS	
ltr	ecn no	dr	date	tolerances unless otherwise specified		INCH/MM		title	
R				angles	XX*.01/X*.3 XXX*.005/XXX*.13	scale 1:1		BERGPOST® .200"[5.08]cc WITHOUT RETENTION NICKS	
				dr	S. RAMP 1989-07-11			dwg no sheet 2 of 6 size	
				engr	K.D. PATEL 1989-07-11			48283 A4	
				chr	K.D. PATEL 1989-07-11			type CUSTOMER Drawing	
				appd	K.D. PATEL 1989-07-11				
sheet index	revision sheet								



PRODUCT NUMBER NOTE 12	CONTACT AREA DIM A	DIM H	OVERALL LENGTH DIM L	DIM R	CORRESPONDING P/N W/RETENTION NICKS	PLATING CODE
48283-019	.558 / 14.17	.578 / 14.68	.880 / 22.35	.240 / 6.10	47338-000	1
48283-019LF	.558 / 14.17	.578 / 14.68	.880 / 22.35	.240 / 6.10	47338-000LF	1
48283-020	.380 / 9.65	.400 / 10.16	.522 / 13.26	.060 / 1.52	47340-000	3
48283-020LF	.380 / 9.65	.400 / 10.16	.522 / 13.26	.060 / 1.52	47340-000LF	3
48283-021	.520 / 13.21	.540 / 13.72	.662 / 16.81	.060 / 1.52	47341-000	3
48283-021LF	.520 / 13.21	.540 / 13.72	.662 / 16.81	.060 / 1.52	47341-000LF	3
48283-022	.380 / 9.65	.400 / 10.16	.772 / 19.61	.320 / 8.13	47342-000	3
48283-022LF	.380 / 9.65	.400 / 10.16	.772 / 19.61	.320 / 8.13	47342-000LF	3
48283-023	.520 / 13.21	.540 / 13.72	.912 / 23.16	.320 / 8.13	47343-000	3
48283-023LF	.520 / 13.21	.540 / 13.72	.912 / 23.16	.320 / 8.13	47343-000LF	3
48283-024	.380 / 9.65	.400 / 10.16	.522 / 13.26	.060 / 1.52	47344-000	OBSOLETE
48283-024LF	.380 / 9.65	.400 / 10.16	.522 / 13.26	.060 / 1.52	47344-000LF	4
48283-025	.520 / 13.21	.540 / 13.72	.662 / 16.81	.060 / 1.52	47345-000	OBSOLETE
48283-025LF	.520 / 13.21	.540 / 13.72	.662 / 16.81	.060 / 1.52	47345-000LF	4
48283-026	.380 / 9.65	.400 / 10.16	.772 / 19.61	.320 / 8.13	47346-000	OBSOLETE
48283-026LF	.380 / 9.65	.400 / 10.16	.772 / 19.61	.320 / 8.13	47346-000LF	4
48283-027	.520 / 13.21	.540 / 13.72	.912 / 23.16	.320 / 8.13	47347-000	OBSOLETE
48283-027LF	.520 / 13.21	.540 / 13.72	.912 / 23.16	.320 / 8.13	47347-000LF	3
48283-028	.228 / 5.79	.248 / 6.30	.550 / 13.97	.240 / 6.10	47349-000	3
48283-028LF	.228 / 5.79	.248 / 6.30	.550 / 13.97	.240 / 6.10	47349-000LF	3
48283-029	.323 / 8.20	.343 / 8.71	.463 / 11.76	.058 / 1.47	47350-000	3
48283-029LF	.323 / 8.20	.343 / 8.71	.463 / 11.76	.058 / 1.47	47350-000LF	3
48283-030	.573 / 14.55	.593 / 15.06	.715 / 18.16	.060 / 1.52	47351-000	3
48283-030LF	.573 / 14.55	.593 / 15.06	.715 / 18.16	.060 / 1.52	47351-000LF	3
48283-031	.698 / 17.73	.718 / 18.24	.840 / 21.34	.060 / 1.52	47352-000	3
48283-031LF	.698 / 17.73	.718 / 18.24	.840 / 21.34	.060 / 1.52	47352-000LF	3
48283-032	.763 / 19.38	.783 / 19.89	.905 / 22.99	.060 / 1.52	47353-000	3
48283-032LF	.763 / 19.38	.783 / 19.89	.905 / 22.99	.060 / 1.52	47353-000LF	3
48283-033	.573 / 14.55	.593 / 15.06	1.240 / 31.50	.585 / 14.86	47354-000	3
48283-033LF	.573 / 14.55	.593 / 15.06	1.240 / 31.50	.585 / 14.86	47354-000LF	3
48283-034	.573 / 14.55	.593 / 15.06	1.430 / 36.32	.775 / 19.69	47355-000	3
48283-034LF	.573 / 14.55	.593 / 15.06	1.430 / 36.32	.775 / 19.69	47355-000LF	3
48283-035	.698 / 17.73	.718 / 18.24	1.485 / 37.72	.705 / 17.91	47356-000	3
48283-035LF	.698 / 17.73	.718 / 18.24	1.485 / 37.72	.705 / 17.91	47356-000LF	3

A

A

B

B

mat'l. code		surface		tolerance		projection		product family	
SEE NOTE 1		ASME Y14.5		ASME Y14.5				PIN PRODUCTS	
ltr	ecn no	dr	date	tolerances unless otherwise specified				title	
R				angles	inches	feet	INCH/MM	BERGPOST® .200"[5.08]cc	
							scale 1:1	WITHOUT RETENTION NICKS	
				dr	S. RAMP	1989-07-11		dwg no	
				engr	K.D. PATEL	1989-07-11		sheet 3 of 6 size	
				chr	K.D. PATEL	1989-07-11		48283 A4	
				appd	K.D. PATEL	1989-07-11		type CUSTOMER Drawing	
sheet index	revision	sheet							



PRODUCT NUMBER NOTE 12	CONTACT AREA DIM A	DIM H	OVERALL LENGTH DIM L	DIM R	CORRESPONDING P/N W/RETENTION NICKS	PLATING CODE
48283-036	.228 / 5.79	.248 / 6.30	.370 / 9.40	.060 / 1.52	47357-000	3
48283-036LF	.228 / 5.79	.248 / 6.30	.370 / 9.40	.060 / 1.52	47357-000LF	3
48283-037	.573 / 14.55	.593 / 15.06	.895 / 22.73	.240 / 6.10	47358-000	3
48283-037LF	.573 / 14.55	.593 / 15.06	.895 / 22.73	.240 / 6.10	47358-000LF	3
48283-038	.448 / 11.38	.468 / 11.89	.590 / 14.99	.060 / 1.52	47359-000	3
48283-038LF	.448 / 11.38	.468 / 11.89	.590 / 14.99	.060 / 1.52	47359-000LF	3
48283-039	.485 / 12.32	.505 / 12.83	.960 / 24.38	.393 / 9.98	47600-000	3
48283-039LF	.485 / 12.32	.505 / 12.83	.960 / 24.38	.393 / 9.98	47600-000LF	3
48283-040	.380 / 9.65	.400 / 10.16	.522 / 13.26	.060 / 1.52	47762-000	3
48283-040LF	.380 / 9.65	.400 / 10.16	.522 / 13.26	.060 / 1.52	47762-000LF	3
48283-041	.583 / 14.81	.603 / 15.32	1.000 / 25.40	.335 / 8.51	47799-000	3
48283-041LF	.583 / 14.81	.603 / 15.32	1.000 / 25.40	.335 / 8.51	47799-000LF	3
48283-042	.520 / 13.21	.540 / 13.72	.912 / 23.16	.320 / 8.13	47800-000	3
48283-042LF	.520 / 13.21	.540 / 13.72	.912 / 23.16	.320 / 8.13	47800-000LF	3
48283-043	.558 / 14.17	.578 / 14.68	.700 / 17.78	.060 / 1.52	47804-000	3
48283-043LF	.558 / 14.17	.578 / 14.68	.700 / 17.78	.060 / 1.52	47804-000LF	3
48283-044	.615 / 15.62	.628 / 15.95	1.010 / 25.65	.320 / 8.13	47816-000	3
48283-044LF	.615 / 15.62	.628 / 15.95	1.010 / 25.65	.320 / 8.13	47816-000LF	3
48283-045	.323 / 8.20	.343 / 8.71	.465 / 11.81	.060 / 1.52	47824-000	OBSOLETE
48283-045LF	.323 / 8.20	.343 / 8.71	.465 / 11.81	.060 / 1.52	47824-000LF	4
48283-046	.583 / 14.81	.603 / 15.32	1.075 / 27.31	.410 / 10.41	48031-000	1
48283-046LF	.583 / 14.81	.603 / 15.32	1.075 / 27.31	.410 / 10.41	48031-000LF	1
48283-047	.240 / 6.10	.260 / 6.60	.732 / 18.59	.410 / 10.41	48034-000	1
48283-047LF	.240 / 6.10	.260 / 6.60	.732 / 18.59	.410 / 10.41	48034-000LF	1
48283-048	.390 / 9.91	.410 / 10.41	1.075 / 27.31	.603 / 15.32	48033-000	1
48283-048LF	.390 / 9.91	.410 / 10.41	1.075 / 27.31	.603 / 15.32	48033-000LF	1
48283-049	.380 / 9.65	.400 / 10.16	.710 / 18.03	.248 / 6.30	47998-000	3
48283-049LF	.380 / 9.65	.400 / 10.16	.710 / 18.03	.248 / 6.30	47998-000LF	3
48283-050	.308 / 7.82	.328 / 8.33	.450 / 11.43	.060 / 1.52	48004-000	OBSOLETE
48283-050LF	.308 / 7.82	.328 / 8.33	.450 / 11.43	.060 / 1.52	48004-000LF	4
48283-051	.630 / 16.00	.650 / 16.51	1.122 / 28.50	.410 / 10.41	48035-000	1
48283-051LF	.630 / 16.00	.650 / 16.51	1.122 / 28.50	.410 / 10.41	48035-000LF	1
48283-052	.390 / 9.91	.410 / 10.41	1.122 / 28.50	.650 / 16.51	48036-000	1
48283-052LF	.390 / 9.91	.410 / 10.41	1.122 / 28.50	.650 / 16.51	48036-000LF	1
48283-053	.255 / 6.48	.275 / 6.99	.772 / 19.61	.435 / 11.05	48008-000	3
48283-053LF	.255 / 6.48	.275 / 6.99	.772 / 19.61	.435 / 11.05	48008-000LF	3

mat'l. code	SEE NOTE 1	surface	ASME Y14.5	tolerance	ASME Y14.5	projection	product family	PIN PRODUCTS
ltr	ecn no	dr	date	tolerances unless otherwise specified		 INCH/MM	title	
R				angles	XX*.01/XX*.3 XXX*.005/XXX*.13		BERGPOST® .200"[5.08]cc WITHOUT RETENTION NICKS	
				0'±2'	XXXX*.0020/XXX*.051	scale	1:1	
		dr	S. RAMP	1989-07-11			dwg no	sheet 4 of 6 size
		engr	K.D. PATEL	1989-07-11			48283 A4	
		chr	K.D. PATEL	1989-07-11			type CUSTOMER Drawing	
		appd	K.D. PATEL	1989-07-11				
sheet index	revision	sheet						



PRODUCT NUMBER NOTE 12	CONTACT AREA DIM A	DIM H	OVERALL LENGTH DIM L	DIM R	CORRESPONDING P/N W/RETENTION NICKS	PLATING CODE
48283-054	.255 / 6.48	.275 / 6.99	.642 / 16.31	.305 / 7.75	48009-000	3
48283-054LF	.255 / 6.48	.275 / 6.99	.642 / 16.31	.305 / 7.75	48009-000LF	3
48283-055	.651 / 16.54	.671 / 17.04	.793 / 20.14	.060 / 1.52	48010-000	1
48283-055LF	.651 / 16.54	.671 / 17.04	.793 / 20.14	.060 / 1.52	48010-000LF	1
48283-056	.500 / 12.70	.520 / 13.21	.640 / 16.26	.058 / 1.47	48011-000	OBSOLETE
48283-056LF	.500 / 12.70	.520 / 13.21	.640 / 16.26	.058 / 1.47	48011-000LF	4
48283-057	.250 / 6.35	.270 / 6.86	.572 / 14.53	.240 / 6.10	48019-000	1
48283-057LF	.250 / 6.35	.270 / 6.86	.572 / 14.53	.240 / 6.10	48019-000LF	1
48283-058	.250 / 6.35	.270 / 6.86	.390 / 9.91	.058 / 1.47	48020-000	1
48283-058LF	.250 / 6.35	.270 / 6.86	.390 / 9.91	.058 / 1.47	48020-000LF	1
48283-059	.750 / 19.05	.770 / 19.56	.892 / 22.66	.060 / 1.52	48021-000	1
48283-059LF	.750 / 19.05	.770 / 19.56	.892 / 22.66	.060 / 1.52	48021-000LF	1
48283-060	.380 / 9.65	.400 / 10.16	.880 / 22.35	.418 / 10.62	48022-000	1
48283-060LF	.380 / 9.65	.400 / 10.16	.880 / 22.35	.418 / 10.62	48022-000LF	1
48283-061	.280 / 7.11	.300 / 7.62	.552 / 14.02	.190 / 4.83	48028-000	1
48283-061LF	.280 / 7.11	.300 / 7.62	.552 / 14.02	.190 / 4.83	48028-000LF	1
48283-062	.338 / 8.59	.358 / 9.09	.478 / 12.14	.058 / 1.47	48042-000	1
48283-062LF	.338 / 8.59	.358 / 9.09	.478 / 12.14	.058 / 1.47	48042-000LF	1
48283-063	.250 / 6.35	.270 / 6.86	.650 / 16.51	.318 / 8.08	48087-000	1
48283-063LF	.250 / 6.35	.270 / 6.86	.650 / 16.51	.318 / 8.08	48087-000LF	1
48283-064	.228 / 5.79	.248 / 6.30	.550 / 13.97	.240 / 6.10	48089-000	OBSOLETE
48283-064LF	.228 / 5.79	.248 / 6.30	.550 / 13.97	.240 / 6.10	48089-000LF	4
48283-065	.380 / 9.65	.400 / 10.16	.960 / 24.38	.498 / 12.65	48114-000	OBSOLETE
48283-065LF	.380 / 9.65	.400 / 10.16	.960 / 24.38	.498 / 12.65	48114-000LF	4
48283-066	.698 / 17.73	.718 / 18.24	1.000 / 25.40	.225 / 5.72	48122-000	OBSOLETE
48283-066LF	.698 / 17.73	.718 / 18.24	1.000 / 25.40	.225 / 5.72	48122-000LF	4
48283-067	.755 / 19.18	.775 / 19.69	1.260 / 32.00	.420 / 10.67	48179-000	1
48283-067LF	.755 / 19.18	.775 / 19.69	1.260 / 32.00	.420 / 10.67	48179-000LF	1
48283-068	.228 / 5.79	.248 / 6.30	.368 / 9.35	.058 / 1.47	48206-000	OBSOLETE
48283-068LF	.228 / 5.79	.248 / 6.30	.368 / 9.35	.058 / 1.47	48206-000LF	4
48283-069	.280 / 7.11	.300 / 7.62	.552 / 14.02	.190 / 4.83	48267-000	OBSOLETE
48283-069LF	.280 / 7.11	.300 / 7.62	.552 / 14.02	.190 / 4.83	48267-000LF	4
48283-070	.500 / 12.70	.520 / 13.21	.640 / 16.26	.058 / 1.47	48277-000	1
48283-070LF	.500 / 12.70	.520 / 13.21	.640 / 16.26	.058 / 1.47	48277-000LF	1

mat'l. code		surface		tolerance		projection		product family	
SEE NOTE 1		ASME Y14.5		ASME Y14.5				PIN PRODUCTS	
ltr	ecn no	dr	date	tolerances unless otherwise specified		INCH/MM		title	
R				angles	XX*01/XX*3			BERGPOST® .200"[5.08]cc	
					XXX*005/XXX*13			WITHOUT RETENTION NICKS	
				0'±2'	XXXX*0020/XXX*051	scale 1:1		dwg no	
		dr	T. BREWBAKER	2008-09-03				sheet 5 of 6 size	
		engr	T. BREWBAKER	2008-09-03				48283 A4	
		chr	T. BREWBAKER	2008-09-03				type CUSTOMER Drawing	
		appd	T. BREWBAKER	2008-09-03					
sheet index	revision sheet								



PRODUCT NUMBER NOTE 12	CONTACT AREA DIM A	DIM H	OVERALL LENGTH DIM L	DIM R	CORRESPONDING P/N W/RETENTION NICKS	PLATING CODE
48283-071	.573 / 14.55	.593 / 15.06	.895 / 22.73	.240 / 6.10	48081-000	OBSOLETE
48283-071LF	.573 / 14.55	.593 / 15.06	.895 / 22.73	.240 / 6.10	48081-000LF	4
48283-072	.400 / 10.16	.420 / 10.67	.920 / 23.37	.410 / 10.41	48217-000	1
48283-072LF	.400 / 10.16	.420 / 10.67	.920 / 23.37	.410 / 10.41	48217-000LF	1
48283-073	.630 / 16.00	.650 / 16.51	.700 / 17.78	.058 / 1.47	48218-000	1
48283-073LF	.630 / 16.00	.650 / 16.51	.700 / 17.78	.058 / 1.47	48218-000LF	1
48283-074	.583 / 14.81	.603 / 15.32	1.075 / 27.31	.410 / 10.41	48219-000	9
48283-074LF	.583 / 14.81	.603 / 15.32	1.075 / 27.31	.410 / 10.41	48219-000LF	9
48283-075	.558 / 14.17	.578 / 14.68	.700 / 17.78	.060 / 1.52	48220-000	9
48283-075LF	.558 / 14.17	.578 / 14.68	.700 / 17.78	.060 / 1.52	48220-000LF	9
48283-076	.390 / 9.91	.410 / 10.41	1.075 / 27.31	.603 / 15.32	48221-000	9
48283-076LF	.390 / 9.91	.410 / 10.41	1.075 / 27.31	.603 / 15.32	48221-000LF	9
48283-077	.240 / 6.10	.260 / 6.60	.732 / 18.59	.410 / 10.41	48222-000	9
48283-077LF	.240 / 6.10	.260 / 6.60	.732 / 18.59	.410 / 10.41	48222-000LF	9
48283-078	.630 / 16.00	.650 / 16.51	1.122 / 28.50	.410 / 10.41	48223-000	9
48283-078LF	.630 / 16.00	.650 / 16.51	1.122 / 28.50	.410 / 10.41	48223-000LF	9
48283-079	.390 / 9.91	.410 / 10.41	1.122 / 28.50	.650 / 16.51	48224-000	9
48283-079LF	.390 / 9.91	.410 / 10.41	1.122 / 28.50	.650 / 16.51	48224-000LF	9
48283-080	.308 / 7.82	.328 / 8.33	.450 / 11.43	.060 / 1.52	48225-000	9
48283-080LF	.308 / 7.82	.328 / 8.33	.450 / 11.43	.060 / 1.52	48225-000LF	9
48283-081	.400 / 10.16	.420 / 10.67	.892 / 22.66	.410 / 10.41	48226-000	9
48283-081LF	.400 / 10.16	.420 / 10.67	.892 / 22.66	.410 / 10.41	48226-000LF	9
48283-082	.630 / 16.00	.650 / 16.51	.770 / 19.56	.058 / 1.47	48227-000	9
48283-082LF	.630 / 16.00	.650 / 16.51	.770 / 19.56	.058 / 1.47	48227-000LF	9
48283-083	.630 / 16.00	.650 / 16.51	1.122 / 28.50	.410 / 10.41	48228-000	OBSOLETE
48283-083LF	.630 / 16.00	.650 / 16.51	1.122 / 28.50	.410 / 10.41	48228-000LF	4
48283-084	.630 / 16.00	.650 / 16.51	1.122 / 28.50	.410 / 10.41	48265-000	3
48283-084LF	.630 / 16.00	.650 / 16.51	1.122 / 28.50	.410 / 10.41	48265-000LF	3
48283-085	.573 / 14.55	.593 / 15.06	.895 / 22.73	.240 / 6.10	48278-000	9
48283-085LF	.573 / 14.55	.593 / 15.06	.895 / 22.73	.240 / 6.10	48278-000LF	9
48283-086	.345 / 8.76	.355 / 9.02	.662 / 16.81	.245 / 6.22	48312-000	3
48283-086LF	.345 / 8.76	.355 / 9.02	.662 / 16.81	.245 / 6.22	48312-000LF	3
48283-087	.323 / 8.20	.343 / 8.71	.463 / 11.76	.058 / 1.47	48350-000	1
48283-087LF	.323 / 8.20	.343 / 8.71	.463 / 11.76	.058 / 1.47	48350-000LF	1

mat'l. code SEE NOTE 1		surface ASME Y14.5 <input checked="" type="checkbox"/>		tolerance ASME Y14.5		projection 		product family PIN PRODUCTS	
ltr	ecn no	dr	date	tolerances unless otherwise specified				title	
R				angles	$XX \pm 01/XX \pm 3$	INCH/MM		BERGPOST® .200"[5.08]cc	
					$XXX \pm 005/XXX \pm 13$	scale 1:1		WITHOUT RETENTION NICKS	
					$XXXX \pm 0020/XXX \pm 051$			dwg no	
		dr	T. BREWBAKER	2008-09-03				sheet 6 of 6 size	
		enr	T. BREWBAKER	2008-09-03				48283 A4	
		chr	T. BREWBAKER	2008-09-03				type	
		appd	T. BREWBAKER	2008-09-03				CUSTOMER Drawing	
sheet index	revision								
	sheet								