



PRODUCT DATASHEET

Heidi series

last update 8/6/2016

DETAILS

Product Number	CA14197_HEIDI-REC-90
Family	Heidi
Type	Assembly
Color	clear
Diameter	21,6 mm
Height	12,85 mm
Style	round
Optic Material	PMMA
Holder Material	
Fastening	
Status	production ready
ROHS Compliant	Yes
Date Updated	8/06/2016



OPTICAL PROPERTIES

LED	Viewing	Light	Effi-	cd/lm	Connector
	Angle	Beam	ciency		
XQ-E HI	35+60 deg	REC-class	87 %	1.300	-
LUXEON Rebel	42+59 deg	REC-class	78 %	1.100	-
Oslon SSL 150	36+57 deg	REC-class	78 %	1.300	-

D

C

B

A

4

4

3

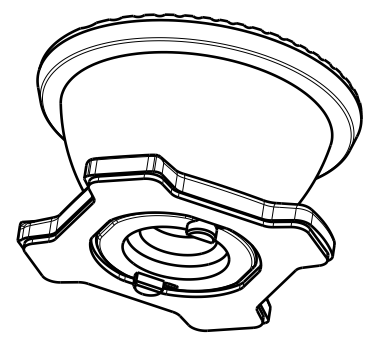
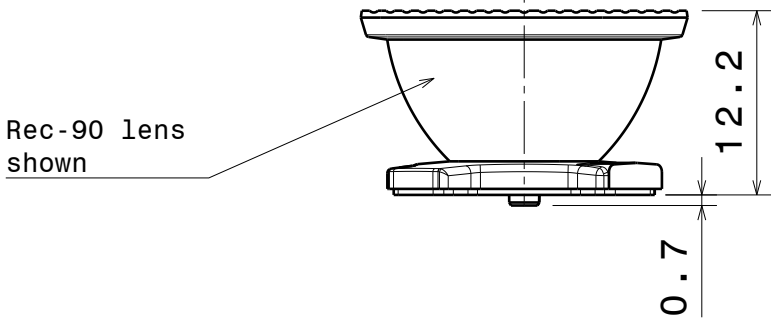
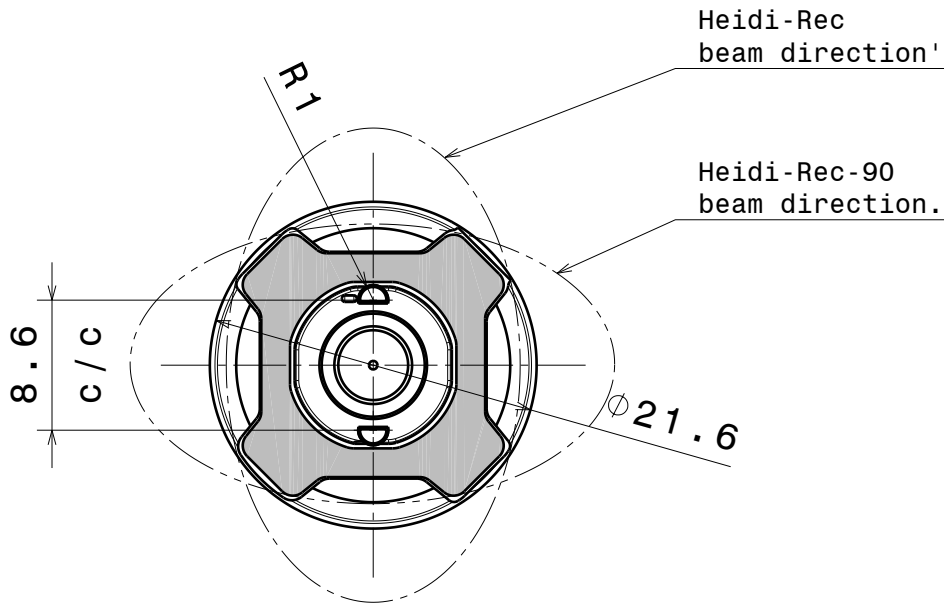
3

2

2

1

1



INDEX	PART NO	DESCRIPTION	MATERIAL	COLOUR
2		HEIDI TAPE	PSA	black
1		HEIDI-REC /-90	PMMA	Clear

Tolerances if not otherwise shown
 According to DIN ISO 2768-1
 Linear measures:
 Up to 30mm class M, otherwise class C.
 According to DIN ISO 2768-2
 Form and position: class L

LEDiL LediL Oy
 Salorankatu 10
 FIN 24240 SALO
 Finland

THIRD ANGLE PROJECTION:

DRAWING TITLE
Datasheet HEIDI-REC /-90

This drawing is the property of LEDiL Oy. It may not be reproduced, copied or communicated without a written agreement with LEDiL Oy."

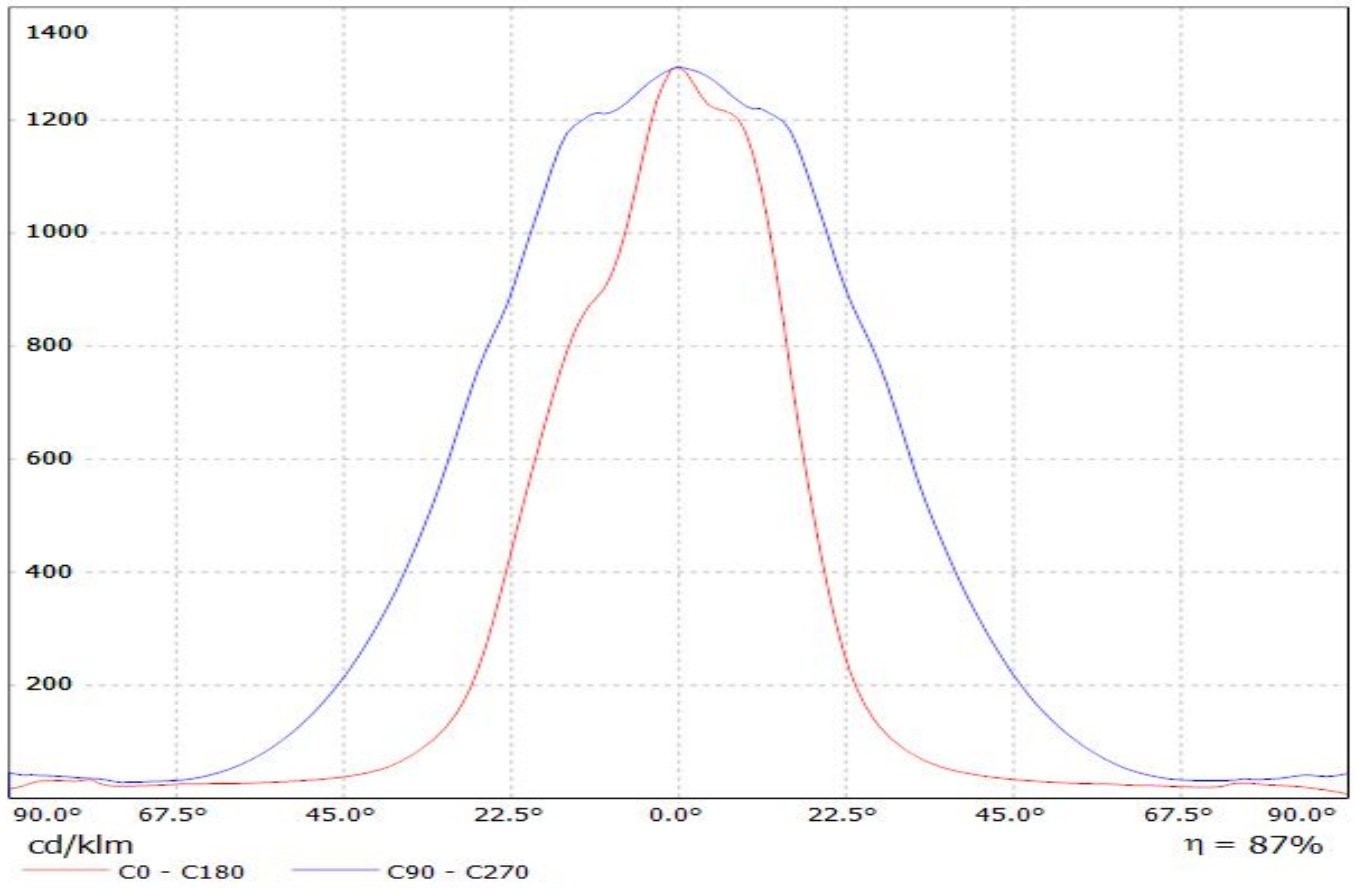
SIZE PART NUMBER
A4

SCALE 1:1 WEIGHT 3 g SHEET 1/1

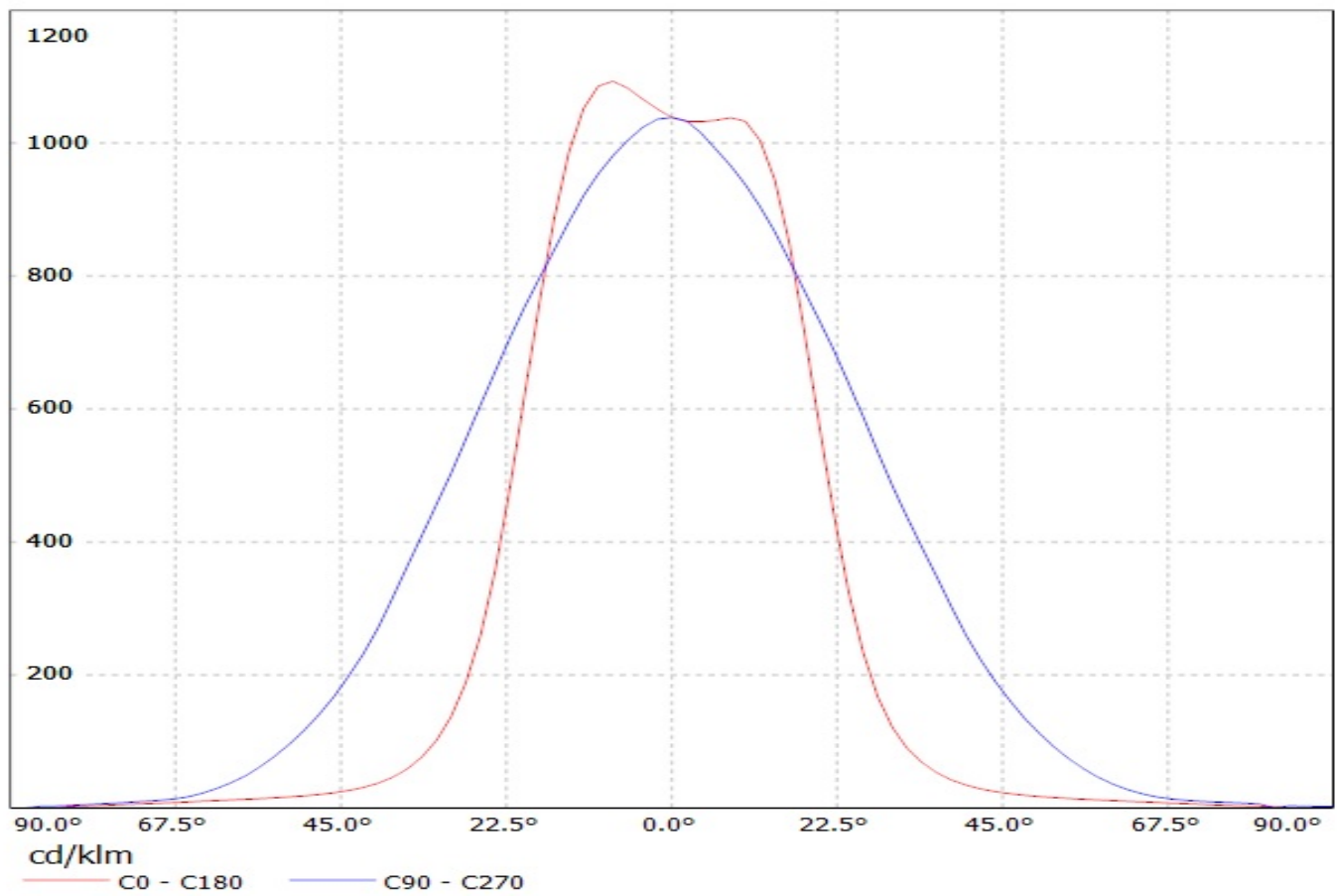
D

A

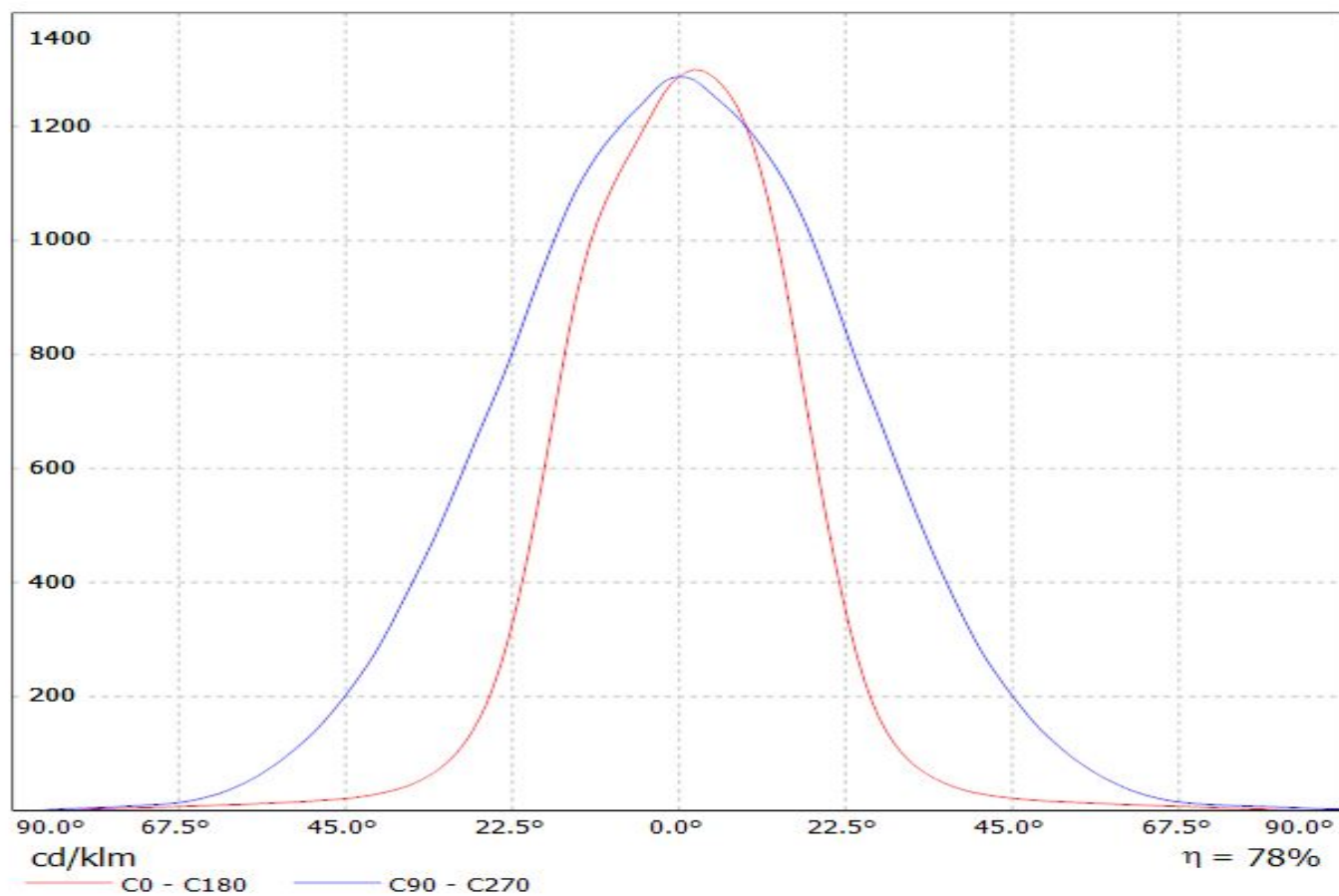
Luminaire: LEDiL Oy CA14197_HEIDI-REC-90_(XQ-E-HI)
Lamps: 1 x Cree_XQ-E-HI_100.711lm@250mA_P=0.744904W_I=0.25A



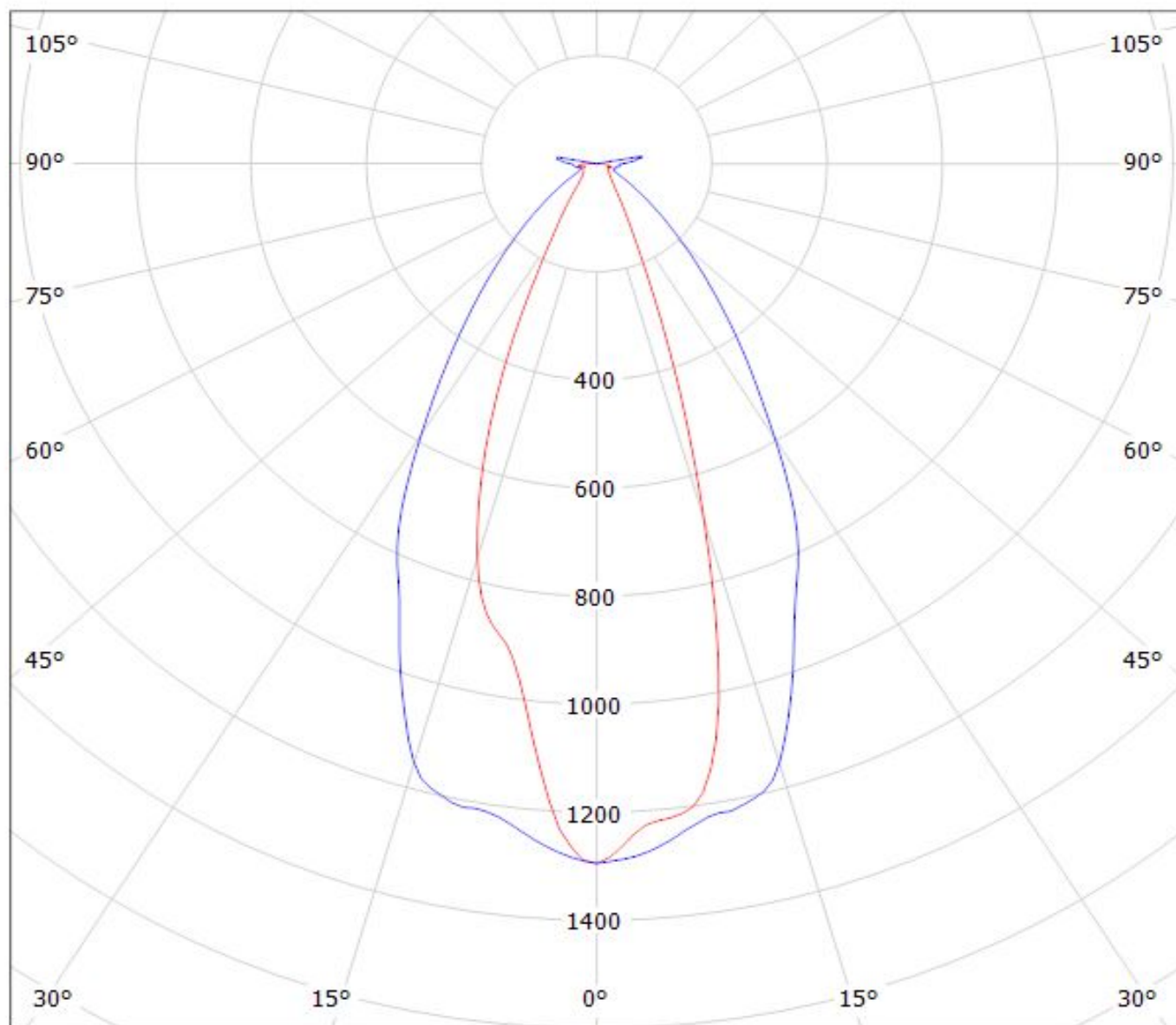
Luminaire: LEDil Oy CA14197_HEIDI-REC-90 (Luxeon_Rebel) Efficiency=78%
Lamps: 1 x Philips Lumileds Luxeon Rebel (LXM8-PW30) 60.9lm @ 250mA CCT=2900K P=0.7W I=250mA



Luminaire: LEDil Oy CA14197_HEIDI-REC-90 (Oslo SSL_150)
Lamps: 1 x Oslo SSL150 (LCW.CRUP.EC-KTLP-607Q-1)



Luminaire: LEDiL Oy CA14197_HEIDI-REC-90_(XQ-E-HI)
Lamps: 1 x Cree_XQ-E-HI_100.711lm@250mA_P=0.744904W_I=0.25A

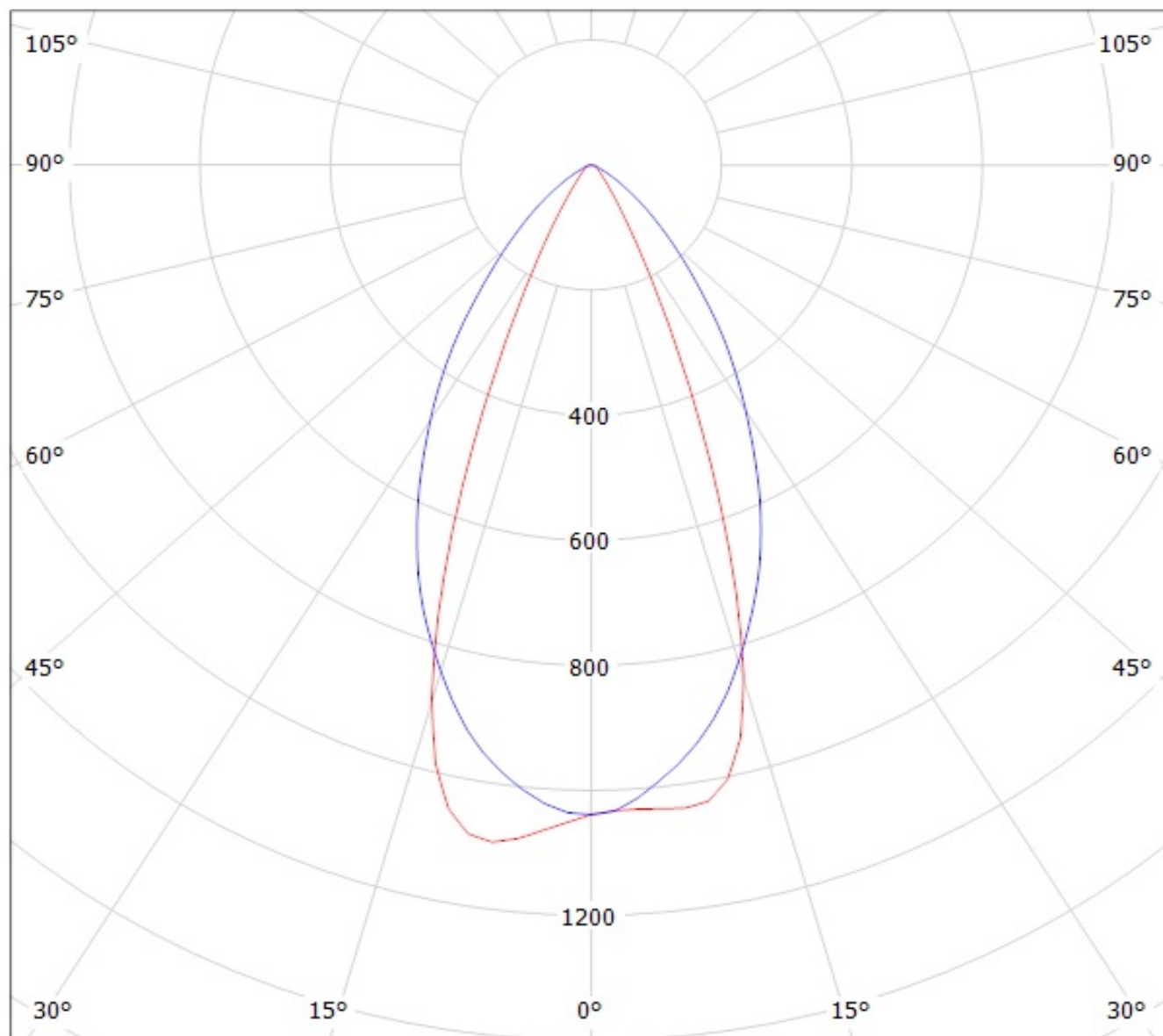


cd/klm

— C0 - C180 — C90 - C270

$\eta = 87\%$

Luminaire: LEDil Oy CA14197_HEIDI-REC-90_(Luxeon_Rebel) Efficiency=78%
Lamps: 1 x Philips Lumileds Luxeon Rebel (LXM8-PW30) 60.9lm @ 250mA CCT=2900K P=0.7W I=250mA

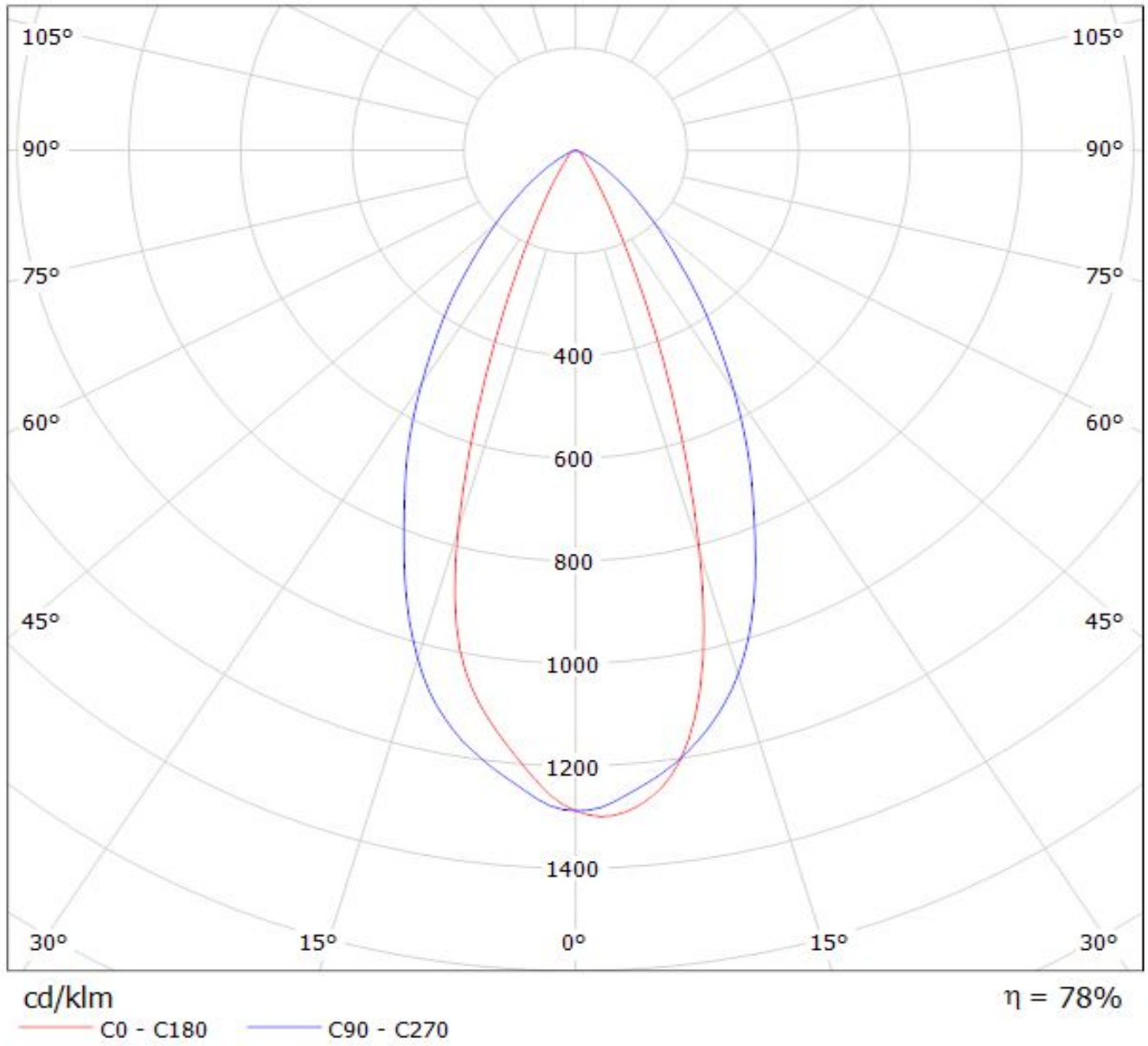


cd/klm

— C0 - C180

— C90 - C270

Luminaire: LEDil Oy CA14197_HEIDI-REC-90_(Oslo SSL_150)
Lamps: 1 x Oslo SSL150 (LCW.CRUP.EC-KTLP-607Q-1)



NOTE: The typical divergence will be changed by different color, chip size and chip position tolerance. The typical total divergence is the full angle measured where the luminous intensity is half of the peak value.