

Customer Information Sheet

DRAWING No.: R40-400XX02

SHEET 2 OF 2

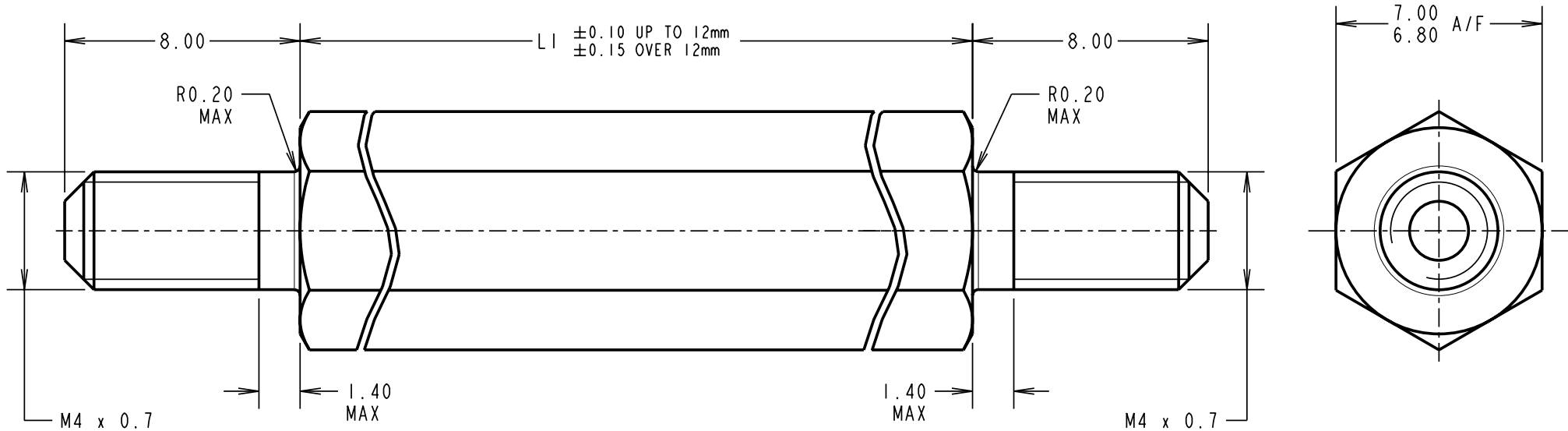
IF IN DOUBT - ASK



NOT TO SCALE

THIRD ANGLE PROJECTION

ALL DIMENSIONS IN mm



PART No.	LI	PART No.	LI
R40-4000502	5.00	R40-4001802	18.00
R40-4000602	6.00	R40-4002002	20.00
R40-4000802	8.00	R40-4002502	25.00
R40-4001002	10.00		
R40-4001202	12.00		
R40-4001402	14.00		
R40-4001602	16.00		

ORDER CODE:
R40-400XX02
 LENGTH LI IN mm

SF	4	10.10.08	10174
NAME	ISS.	DATE	C/NOTE
APPROVED:		SF	
CHECKED:		MGP	
DRAWN:		S.FLOWER	
CUSTOMER REF.:			
ASSEMBLY DRG:			

HARWIN

HARWIN USA
 TEL: 603 893 5376
 FAX: 603 893 5396
 mis@harwin.com

HARWIN Europe (UK)
 TEL: 023 9231 4545
 FAX: 023 9231 4590
 mis@harwin.co.uk

HARWIN Asia
 TEL: +65 6 779 4909
 FAX: +65 6 779 3868
 mis@harwin.com.sg

THIS DRAWING AND ANY INFORMATION OR DESCRIPTIVE MATTER SET OUT HEREON ARE CONFIDENTIAL AND COPYRIGHT PROPERTY OF THE HARWIN GROUP AND MUST NOT BE DISCLOSED, LOANED, COPIED OR USED FOR MANUFACTURING, TENDERING OR FOR ANY OTHER PURPOSE WITHOUT THEIR WRITTEN PERMISSION.

TOLERANCES
 X. = ±1mm
 X.X = ±0.25mm
 X.XX = ±0.10mm
 X.XXX = ±0.01mm
 ANGLES = ±5°
 UNLESS STATED

MATERIAL:
 BRASS CW614N M TO BS EN 12164 (CuZn39Pb3)
 FINISH: NICKEL
 S/AREA: mm²

TITLE:
 M4 HEXAGONAL MALE/MALE SPACER
 DRAWING NUMBER:
R40-400XX02

SHT
 2 OF 2