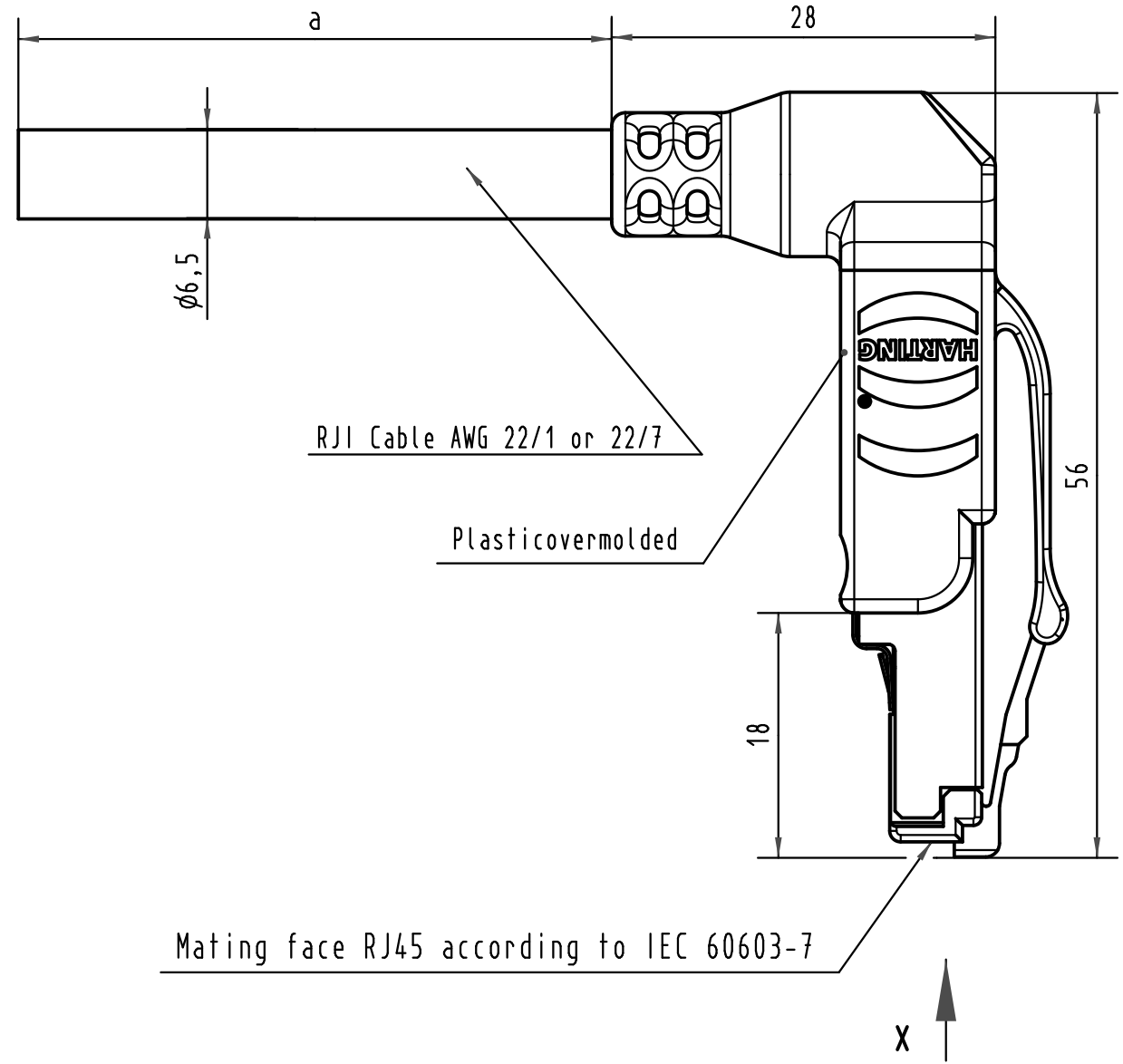
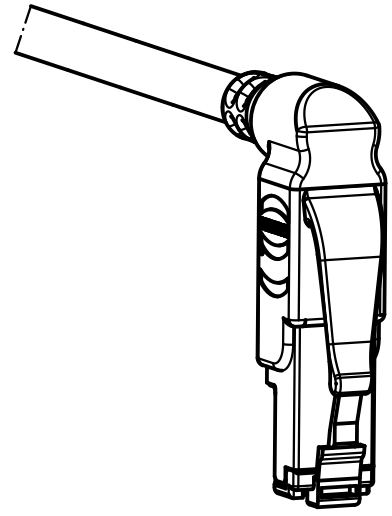


Alle Rechte vorbehalten/ All rights reserved



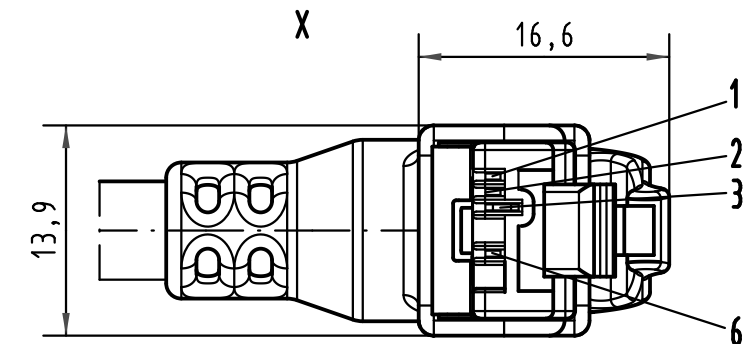
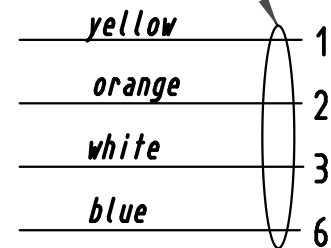
RJ45 Cable AWG 22/1 or 22/7

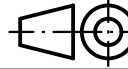

Plasticovermolded

Mating face RJ45 according to IEC 60603-7

-Transmission properties in accordance with ISO/IEC 11801:2002: Class D.  
 -Protection level: IP20  
 -Temperature range: -40°C ...+70°C

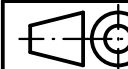
**Loading-Plan:**  
Shield



 All Dimensions in mm Original Size DIN A 3			Techn. Character.			Nicht tolerierte Maß/Free size tolerances			
				Dat.	Name	Maßstab/Scale 2:1 (1:1)	RJ45 cord IP20, 90° angled overmoulding 1xRJ45, 270° Position, CAT5		
			Detail.	09.02.06	MR				
			Insp.						
			Stand.						
DRS490A	06.04.09	MS	HARTING Electronics GmbH & Co. KG				TB 09 47 03 00 xxx		
32776			D-32339 ESPELKAMP						
Mod.	Dat.	Name							
							Sub.	Blatt/page 1/2	

Alle Rechte vorbehalten/ All rights reserved

1				2				3				4				5				6				7				8			
cont-No.	Part-No.	Type of cable	Dim. a																	cont-No.	Part-No.	Type of cable	Dim. a								
A 1	09 47 03 00 001	AWG 22/1 solid	0,5 m																	51	09 47 03 00 051	AWG 22/7 trailing	5 m								
2	09 47 03 00 002	AWG 22/1 solid	1 m																	52	09 47 03 00 052	AWG 22/7 trailing	6 m								
3	09 47 03 00 003	AWG 22/1 solid	1,5 m																	53	09 47 03 00 053	AWG 22/7 trailing	7 m								
4	09 47 03 00 004	AWG 22/1 solid	2 m																	54	09 47 03 00 054	AWG 22/7 trailing	8 m								
5	09 47 03 00 005	AWG 22/1 solid	3 m																	55	09 47 03 00 055	AWG 22/7 trailing	9 m								
6	09 47 03 00 006	AWG 22/1 solid	4 m																	56	09 47 03 00 056	AWG 22/7 trailing	10 m								
7	09 47 03 00 007	AWG 22/1 solid	5 m																	57	09 47 03 00 057	AWG 22/7 trailing	15 m								
8	09 47 03 00 008	AWG 22/1 solid	6 m																	58	09 47 03 00 058	AWG 22/7 trailing	20 m								
9	09 47 03 00 009	AWG 22/1 solid	7 m																	59	09 47 03 00 059	AWG 22/7 trailing	30 m								
B 10	09 47 03 00 010	AWG 22/1 solid	8 m																	60	09 47 03 00 060	AWG 22/7 trailing	40 m								
11	09 47 03 00 011	AWG 22/1 solid	9 m																	61	09 47 03 00 061	AWG 22/7 trailing	50 m								
12	09 47 03 00 012	AWG 22/1 solid	10 m																	62	09 47 03 00 062	AWG 22/7 trailing	60 m								
13	09 47 03 00 013	AWG 22/1 solid	15 m																	63	09 47 03 00 063	AWG 22/7 trailing	70 m								
14	09 47 03 00 014	AWG 22/1 solid	20 m																	64	09 47 03 00 064	AWG 22/7 trailing	80 m								
15	09 47 03 00 015	AWG 22/1 solid	30 m																	65	09 47 03 00 065	AWG 22/7 trailing	90 m								
16	09 47 03 00 016	AWG 22/1 solid	40 m																	66	09 47 03 00 066	AWG 22/7 trailing	100 m								
17	09 47 03 00 017	AWG 22/1 solid	50 m																	67	09 47 03 00 067	AWG 22/7 "outdoor"	0,5 m								
18	09 47 03 00 018	AWG 22/1 solid	60 m																	68	09 47 03 00 068	AWG 22/7 "outdoor"	1 m								
19	09 47 03 00 019	AWG 22/1 solid	70 m																	69	09 47 03 00 069	AWG 22/7 "outdoor"	1,5 m								
C 20	09 47 03 00 020	AWG 22/1 solid	80 m																	70	09 47 03 00 070	AWG 22/7 "outdoor"	2 m								
21	09 47 03 00 021	AWG 22/1 solid	90 m																	71	09 47 03 00 071	AWG 22/7 "outdoor"	3 m								
22	09 47 03 00 022	AWG 22/1 solid	100 m																	72	09 47 03 00 072	AWG 22/7 "outdoor"	4 m								
23	09 47 03 00 023	AWG 22/7 stranded	0,5 m																	73	09 47 03 00 073	AWG 22/7 "outdoor"	5 m								
24	09 47 03 00 024	AWG 22/7 stranded	1 m																	74	09 47 03 00 074	AWG 22/7 "outdoor"	6 m								
25	09 47 03 00 025	AWG 22/7 stranded	1,5 m																	75	09 47 03 00 075	AWG 22/7 "outdoor"	7 m								
26	09 47 03 00 026	AWG 22/7 stranded	2 m																	76	09 47 03 00 076	AWG 22/7 "outdoor"	8 m								
27	09 47 03 00 027	AWG 22/7 stranded	3 m																	77	09 47 03 00 077	AWG 22/7 "outdoor"	9 m								
28	09 47 03 00 028	AWG 22/7 stranded	4 m																	78	09 47 03 00 078	AWG 22/7 "outdoor"	10 m								
D 29	09 47 03 00 029	AWG 22/7 stranded	5 m																	79	09 47 03 00 079	AWG 22/7 "outdoor"	15 m								
30	09 47 03 00 030	AWG 22/7 stranded	6 m																	80	09 47 03 00 080	AWG 22/7 "outdoor"	20 m								
31	09 47 03 00 031	AWG 22/7 stranded	7 m																	81	09 47 03 00 081	AWG 22/7 "outdoor"	30 m								
32	09 47 03 00 032	AWG 22/7 stranded	8 m																	82	09 47 03 00 082	AWG 22/7 "outdoor"	40 m								
33	09 47 03 00 033	AWG 22/7 stranded	9 m																	83	09 47 03 00 083	AWG 22/7 "outdoor"	50 m								
34	09 47 03 00 034	AWG 22/7 stranded	10 m																	84	09 47 03 00 084	AWG 22/7 "outdoor"	60 m								
35	09 47 03 00 035	AWG 22/7 stranded	15 m																	85	09 47 03 00 085	AWG 22/7 "outdoor"	70 m								
36	09 47 03 00 036	AWG 22/7 stranded	20 m																	86	09 47 03 00 086	AWG 22/7 "outdoor"	80 m								
37	09 47 03 00 037	AWG 22/7 stranded	30 m																	87	09 47 03 00 087	AWG 22/7 "outdoor"	90 m								
E 38	09 47 03 00 038	AWG 22/7 stranded	40 m																	88	09 47 03 00 088	AWG 22/7 "outdoor"	100 m								
39	09 47 03 00 039	AWG 22/7 stranded	50 m																												
40	09 47 03 00 040	AWG 22/7 stranded	60 m																												
41	09 47 03 00 041	AWG 22/7 stranded	70 m																												
42	09 47 03 00 042	AWG 22/7 stranded	80 m																												
43	09 47 03 00 043	AWG 22/7 stranded	90 m																												
44	09 47 03 00 044	AWG 22/7 stranded	100 m																												
45	09 47 03 00 045	AWG 22/7 trailing	0,5 m																												
46	09 47 03 00 046	AWG 22/7 trailing	1 m																												
47	09 47 03 00 047	AWG 22/7 trailing	1,5 m																												
F 48	09 47 03 00 048	AWG 22/7 trailing	2 m																												
49	09 47 03 00 049	AWG 22/7 trailing	3 m																												
50	09 47 03 00 050	AWG 22/7 trailing	4 m																												

 All Dimensions in mm Original Size DIN A 3	Techn. Character.			Nicht tolerierte Maß/Free size tolerances				
		Dat.	Name	Maßstab/Scale				
		Detail.	09.02.06	MR	2:1 (1:1)			
		Insp.						
	Stand.			<b>RJI cord IP20, 90° angled overmoulding</b> <b>1xRJ45, 270° Position, CAT5</b>				
DRS490A	06.04.09	MS						
32776				<b>HARTING Electronics GmbH &amp; Co. KG</b> D-32339 ESPELKAMP			<b>TB 09 47 03 00 xxx</b>	Blatt/ page <b>2 / 2</b>
Mod.	Dat.	Name				Sub.		